

Mustek TWAIN Installation

Scanner Interface Card

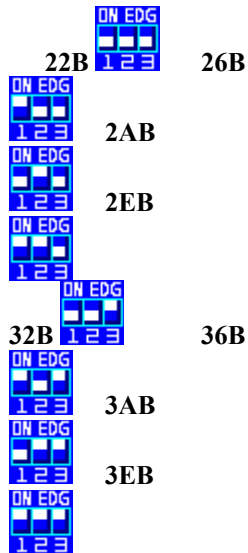
Setting the I/O Address

Setting the I/O Address

The scanner interface card has switches for changing the I/O address. Inspect the card closely and see what the current I/O address is. You can use the recommended I/O address **2AB** unless you have a device that uses the same I/O address.

Most conflicts occur when there are several devices/cards such as modems, fax cards, mouse cards, etc. installed in your computer. It is important that you know the settings used by each device so you could assign an unused settings for the scanner interface card. In some cases, it may be necessary for you to change the I/O address settings of device to accomodate the scanner interface card.

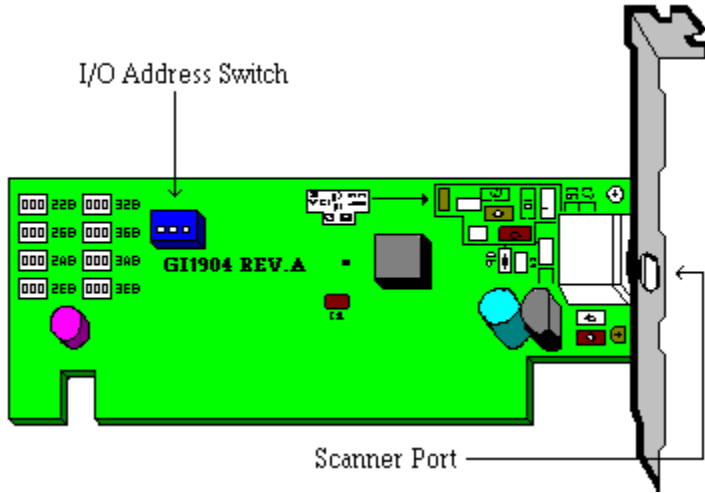
Figures below show the available I/O address on the scanner interface card. The small white squares represent the movable parts of the switch.



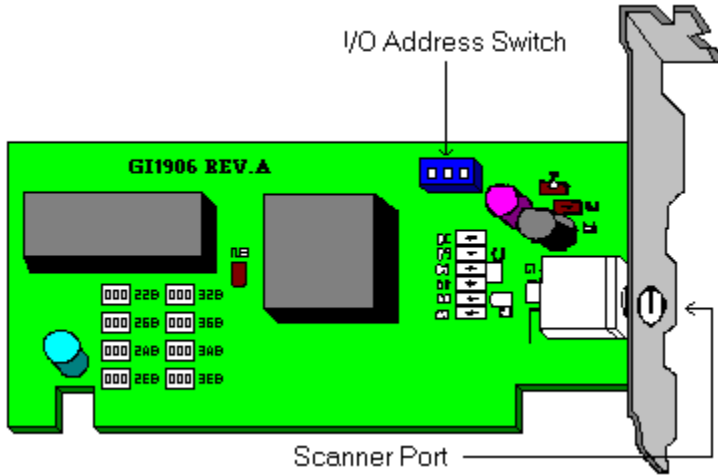
Scanner Interface Card

We now support three types of scanner interface card. They are :

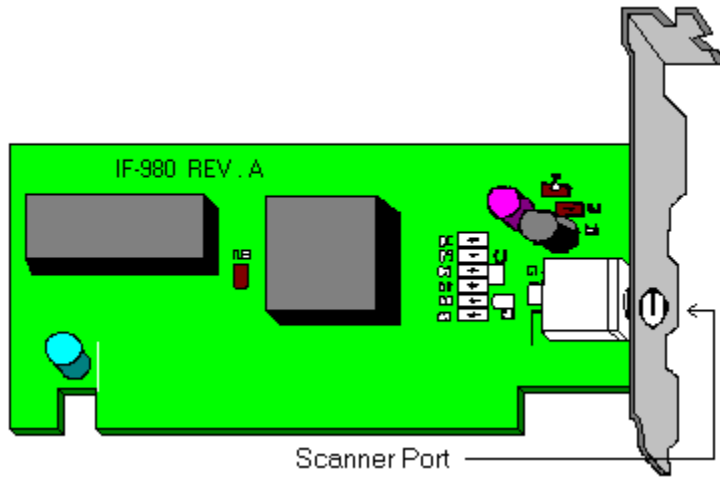
GI1904 Scanner Interface Card



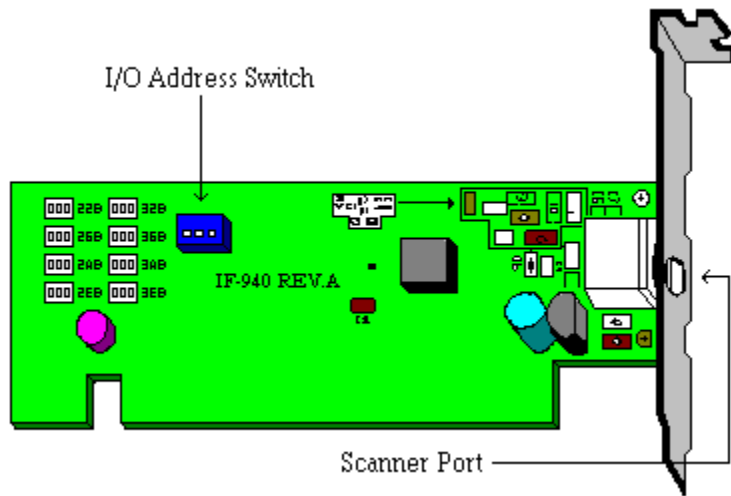
GI1906 Scanner Interface Card



IF-980 Scanner Interface Card



IF-940 Scanner Interface Card



PRINSCAN4 Scanner Interface Card



See Also [Setting the I/O Address](#)

